

PUYUAN

■ 全液压汽车起重机

Full Hydraulic Truck Crane

■ QY100H-3

强者，始能担重任

中联重科浦沅分公司

PuYuan Sub-Company, Zoomlion Group

地址 (Add): 中国·湖南省长沙市芙蓉中路三段613号
No.613 the 3th district furong middle road, changsha, hunan
邮编 (Post Code): 410007
电话 (Tel): 0731-5667210
传真 (Fax): 0731-5582657
网址 (Http): www.puyuan.com.cn

营销部

Sales Department

销售热线 (Sales Tel): 0731-5667230 5311766
服务热线 (Service Tel): 0731-5667004 8008786119
备件服务热线 (Spare Parts Sale): 0731-5667276
传真 (Fax): 0731-5585850
电子信箱 (E-mail): sales@puyuan.com.cn

浦沅进出口公司

PuYuan Import & Export Co., Ltd

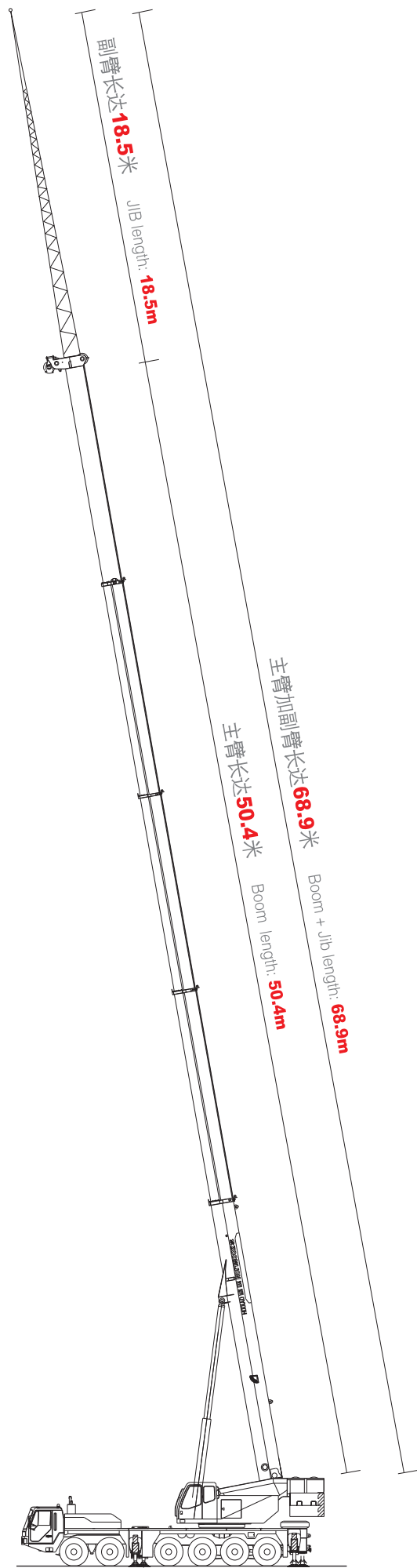
总部电话 (Tel): 0731-5667238
传真 (Fax): 0731-5591796
电子信箱 (E-mail): export@puyuan.com.cn

注意：样本所做的图片和技术参数，由于设计上改进等原因，有可能与用户交货产品不符，请予理解，恕不另行通知。
NOTICE: PICTURES AND TECHNICAL DATASUBJECT TO CHANGE WITHOUT NOTICE FOR IMPROVEMENT.

2006年3月版



 浦沅



我们， 始终高人一等！

超长吊臂，突破您的想象！

Our product is always a cut above the others!
Over length boom surpass your imagination!

- 主臂长达50.4米。
The length of the main boom reach 50.4 m.
- 主臂加副臂长达68.9米。
The length of the main boom and the jib reach 68.9 m.

我们，总能让同行业的大力士也望尘莫及！

大幅度、中长臂起重性能远高于同行业水平。

The lifting capacity is more powerful than the giant of the same trade.
Lifting capacity above the domestic same trade in bigger radius with middle boom length.

- 基本臂在10米幅度下可吊32吨，行业30吨
Max. 32t load lifted with base boom at 10m radius, max.30t load lifted in domestic same trade.
- 17.8米中长臂在14米幅度下可吊17.5吨，行业16吨
Max. 17.5t load lifted with middle boom length of 17.8m at 14m radius, max.16t load lifted in domestic same trade.
- 22.5米中长臂在18米幅度下可吊10吨，行业9吨
Max. 10t load lifted with middle boom length of 22.5m at 18m radius, max.9t load lifted in domestic same trade
- 36.6米中长臂在32米幅度下可吊3吨，行业2.2吨
Max. 3t load lifted with middle boom length of 36.6m at 32m radius, max.2.2t load lifted in domestic same trade
- 50.4米全长臂在42米幅度下可吊1.6吨，行业1吨
Max. 1.6t load lifted with full extended boom of 50.4m at 42m radius, max.1t load lifted in domestic same trade



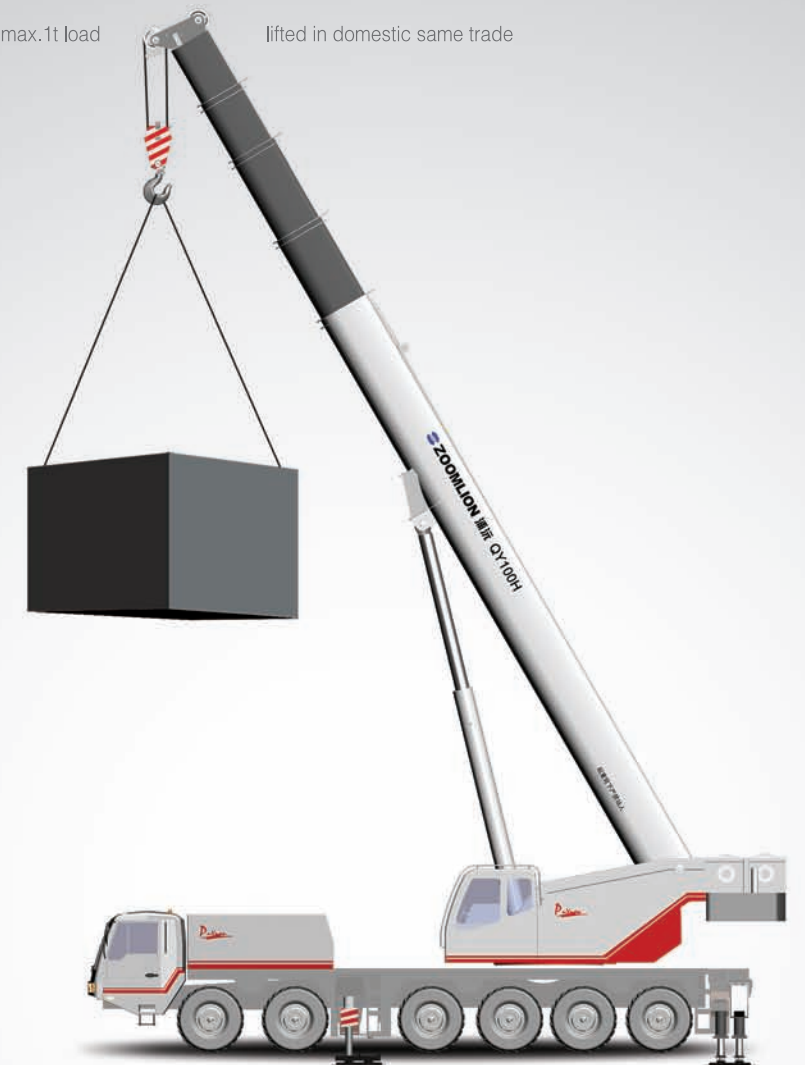
- 吊臂优化设计，采用椭圆形截面，显著提升起重性能。
The boom adopts ovoid profile, which greatly improve lifting capacity of the crane.



- 吊臂采用进口钢材。
The boom adopt imported steel



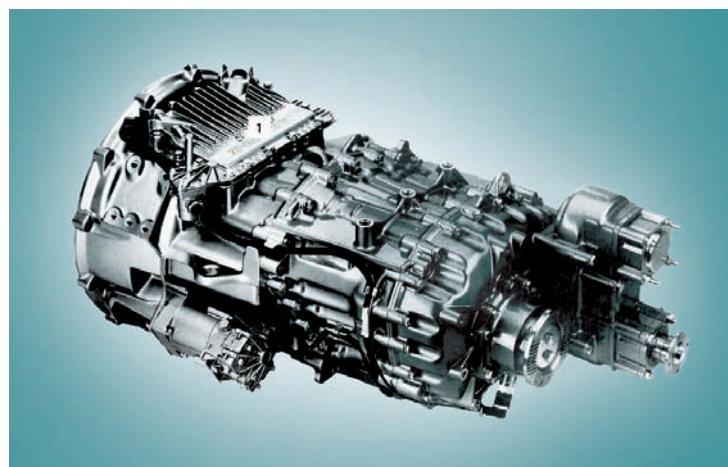
- 自装卸多配重组合。
The combination of counterweight



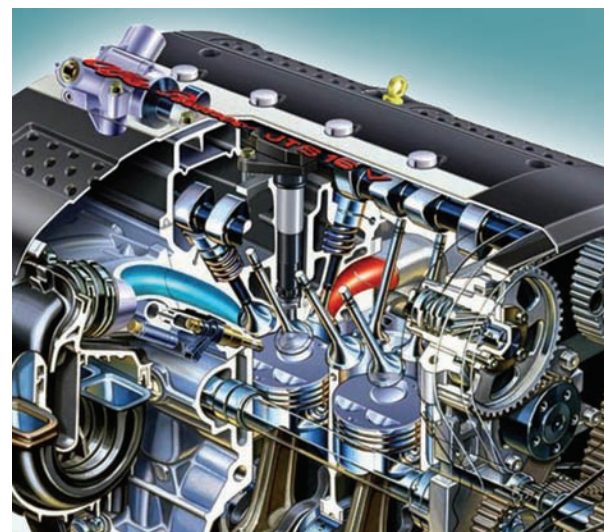
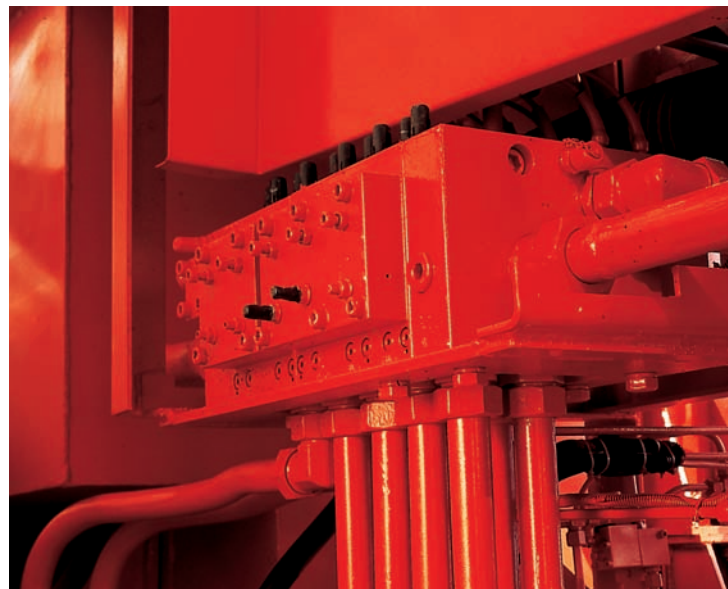
我们，寻遍全球， 只为将产品做得更好！

全球采购的先进配置，
确保了整机的高品质和高可靠性。

We have looked for through the world,
Manufacturing the best product is our only destination!
Advanced equipment purchased in all of the world are sure of the best quality and reliability.



- 上下车均配备动力强劲的进口奔驰发动机。
Benz engine on both crane superstructure and chassis.
- 主、副卷扬机构和回转机构的减速机、马达均为力士乐产品。
The reducer and motor of main and auxiliary winch, slewing are all made by Rexroth.
- 进口布赫主阀，林德主泵，性能可靠。
The performance of imported Bucher valve & Linder pump is very excellent.
- 进口ZF变速箱。
Imported ZF gear-box.
- 各种主要的控制阀、泵均为进口件。
Every kind of controlling valves & pumps are all imported.
- 液压管路采用进口卡套式接头和精拔无缝钢管。
Hydraulic pipeline adopts imported clamp-type pipe fittings & refining seamless steel tube.



我们，底气十足！

全新强劲的底盘驱动，让工作充满乐趣！

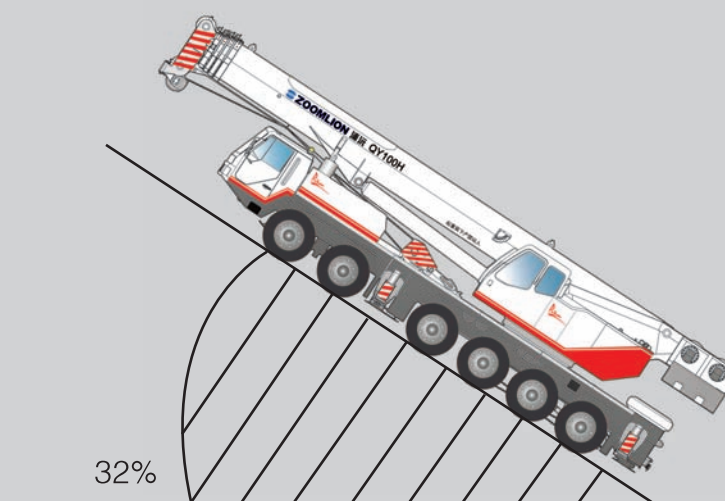
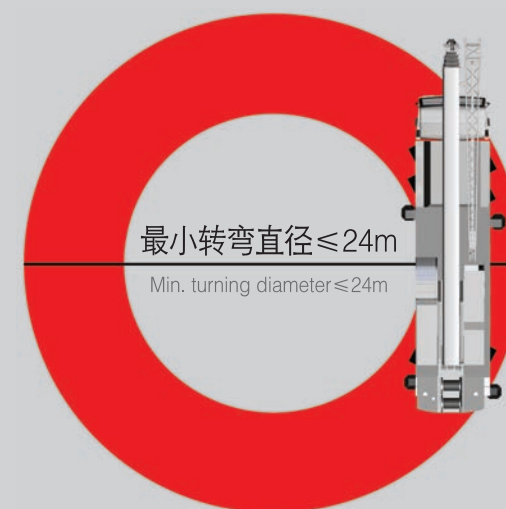
Our product is the best!
Brand new powerful driving system bring you more working pleasure!!

- 强劲有力的心脏：奔驰电喷发动机，马力大、省油、低噪音。
Powerful and strong heart; Benz electronic injection engine with strong power, low noise, low oil consume.
- 12×6驱动，三桥驱动，三桥转向。
12×6 drive chassis, 3-axes for driving, 3-axes for steering.
- 关键部件均为进口，性能优异。
Key parts are all imported, the performance is very excellent.
- 传动系统重新设计，匹配性能优异的变速箱，极大提高了其可靠性。
After newly optimization design, configure excellent transfer-box, greatly enhance the dependability of the drive system.

- | | |
|----------------|-----------------------------|
| ▲ 最高车速≥75km/h | Max. traveling speed≥75km/h |
| ▲ 最大爬坡度≥32% | Max. gradeability≥32% |
| ▲ 最小转弯直径≤24m | Min. turning diameter≤24m |
| ▲ 接近角≥24° | Approach angle≥24° |
| ▲ 离去角≥15° | Departure≥15° |
| ▲ 最小离地间隙≥290mm | Min. clearance≥290mm |

底盘行驶性能行业一流

The traveling performance of chassis is best in domestic same trade.



有时，我们也很“斤斤计较”！

不放过每一个细节，精确可靠的控制系统更出色地完成您的任务！

Sometimes, we are very quibbling!

We quibble every detail, accurate & reliable controlling system brilliantly complete your work!

● 先进的负载传感变量及液控比例控制液压系统控制各执行元件，使整车控制优化，各机构动作更加协调，达到节能、可靠的目的。

Advanced load sensor variable and hydroelectric proportional of the electric-hydraulic system, control each performance component according to the actual work condition, which make the crane's controlling optimize, every action of mechanism more harmonious, and achieve the purpose of energy-conserving, reliability.

● 主泵采用了电控调节系统，通过PLC程序控制器，对发动机进行过载保护，防止发动机过载熄火，同时还可以精确调节执行元件的工作速度，使整个系统达到节能可靠精确的目的。

The main pump adopts electric control adjusting system. When the over-loading of the crane, engine is not be extinguished by the controlling of PLC program controller. At the same time, this program controller can accurately adjusting the speed of executive component to ensure energy-conserving, reliability & accuracy of the whole system.



起重特性表 Lifting capacity table

Rated lifting capacity table

工作幅度 WORKING RADIUS(M)	主 臂 BOOM									主臂 仰角 BOOM ANGLE (°)	主臂+副臂 BOOM+JIB			
	支腿全伸, 后方、侧方作业 REAR & SIDE WORKING AREA WITH OUTRIGGER FULLY EXTENDED										50.4m+10.8m		50.4m+18.5m	
	13.0	17.8	22.5	27.2	31.9	36.6	41.3	46.0	50.4		0°	30°	0°	30°
3.0	100000	80000								80	7000	4000	4000	2000
3.5	92000	77000	62000							78	7000	3900	3800	2000
4.0	85000	72000	62000							76	6800	3800	3600	1950
4.5	76000	67000	61000	42000						74	6600	3700	3400	1900
5.0	70000	62000	60000	42000	40000					72	6400	3600	3200	1850
5.5	63000	56500	56000	42000	39000					70	5600	3500	3000	1800
6.0	57000	52000	52000	42000	37500	31500				68	4900	3400	2900	1750
6.5	51500	48200	48200	40500	35800	31000				66	4200	3200	2800	1700
7.0	47000	45000	45000	39000	34500	29500				64	3500	2900	2700	1650
7.5	42000	41500	41000	37000	33000	28700				62	2900	2500	2400	1600
8.0	37600	37000	36500	35500	31800	27600	23500			60	2400	2100	2000	1500
9.0	29900	29600	29300	30800	29500	25700	22000	18500		58	2000	1700	1600	1200
10.0	24000	23700	23500	25000	25800	24000	20800	17500		56	1600	1300	1200	900
11.0		19600	19400	20800	21500	21500	19500	16500	14000	54	1200	1000		
12.0		16400	16300	17600	18500	18500	18500	15900	13200					
14.0		11700	11600	13000	13900	14300	14500	14500	12200					
16.0			8300	9700	10500	11000	11200	11400	11200					
18.0			5900	7200	8100	8800	9200	9400	9600					
20.0				5400	6300	6800	7200	7500	7700					
22.0				3900	4800	5400	5800	6200	6400					
24.0					3600	4300	4700	5000	5200					
26.0						2500	3300	3700	4300					
28.0					1700	2500	2800	3200	3500					
30.0						1500	1900	2500	2800					
32.0							1000	1500	1800	2200				
34.0								1000	1300	1700				
36.0									800	1200				
38.0										800				
倍率	14	11	9	6	6	5	5	3	3					

起重特性表(带活动配重时) Lifting capacity table (with movable countweighth)

Rated lifting capacity table

工作幅度 WORKING RADIUS(M)	主 臂 BOOM									主臂 仰角 BOOM ANGLE (°)	主臂+副臂 BOOM+JIB			
	支腿全伸, 后方、侧方作业 REAR & SIDE WORKING AREA WITH OUTRIGGER FULLY EXTENDED										50.4m+10.8m		50.4m+18.5m	
	13.0	17.8	22.5	27.2	31.9	36.6	41.3	46.0	50.4		0°	30°	0°	30°
3.0	100000	80000								80	7000	4000	4000	2000
3.5	93000	77000	62000							78	7000	3900	3800	2000
4.0	88000	72000	62000							76	6800	3800	3600	1950
4.5	79000	67000	61000	42000						74	6600	3700	3400	1900
5.0	72000	62000	60000	42000	40000					72	6400	3600	3200	1850
5.5	65000	58000	56000	42000	39000					70	6000	3500	3000	1800
6.0	59000	55000	52000	42000	37500	31500				68	5600	3400	2900	1750
6.5	54000	52000	48200	40500	35800	31000				66	5200	3300	2800	1700
7.0	50000	49000	45000	39000	34500	29500				64	4800	3200	2700	1650
7.5	46000	45000	42500	37000	33000	28700				62	4500	3100	2600	1600
8.0	42000	41000	40500	35500	31800	27600	23500			60	4200	3000	2500	1560
9.0	36500	35500	35000	32500	29500	25700	22000	18500		58	3900	2950	2380	1520
10.0	32000	31000	30500	30000	27500	24000	20800	17500		56	3450	2900	2250	1490
11.0		27500	26500	27500	25700	22600	19500	16500	14000	54	3000	2600	2100	1460
12.0		23500	23300	24500	24000	21200	18900	15900	13200	52	2700	2400	1950	1430
14.0		17500	17000	18500	19500	18800	16900	14500	12200	50	2350	2200	1800	1400
16.0			13000	14200	15000	16000	15200	13200	11200	45	1700	1600	1200	1050
18.0			10000	11200	12000	12600	13200	12000	10200	40	1150	1050		
20.0				9000	9700	10300	10900	11000	9300					
22.0				7200	7900	8500	9000	9400	8700					
24.0					6200	7000	7600	7900	8000					
26.0					5000	5800	6300	6500	6900					
28.0						4900	5200	5600	5800					
30.0						3900	4300	4800	4900					
32.0							3000	3600	3900	4200				
34.0								2800	3200	3600				
36.0									2200	2700	2900			
38.0										2200	2400			
40.0										1800	1900			
42.0											1600			
倍率	14	11	9	6	6	5	5	3	3					

主要技术参数

Main technical specifications

项目 (ITEM)	单位 (UNIT)	数值 (DATA)
工作性能参数 WORKING PERFORMANCE SPECIFICATIONS	最大额定总起重量 MAX. RATED LIFTING CAPACITY	Kg 100000
	带活动配重时最大起重力矩 MAX. LIFTING MOMENT WITH MIN. BOOM LENGTH	Kn.m 3528
	最长主臂最大起重力矩 MAX. LIFTING MOMENT WITH MAX. BOOM LENGTH	Kn.m 1876
	主臂最大起升高度 BOOM MAX. LIFTING HEIGHT	m 50.9
	副臂最大起升高度 JIB MAX. LIFTING HEIGHT	m 69.3
工作速度 WORKING SPEED	单绳最大速度 SINGLE LINE MAX. SPEED	m/min 126
	起重臂伸出时间 LIFTING BOOM EXTENDING TIME	s 90
	起重臂起臂时间 LIFTING BOOM ELEVATING TIME	s 50
	回转速度 SLEWING SPEED	r/min 0~1.52
行驶参数 TRAVELLING SPECIFICATIONS	最高行驶速度 MAX. TRAVELLING SPEED	Km/h 75
	最大爬坡度 MAX. GRADEABILITY	% 32
	最小转弯半径 MIN. TURNING RADIUS	m 12
	最小离地间隙 MIN. CLEARANCE	m 0.290
	接近角 APPROACH ANGLE	° 24
	离去角 ANGLE OF DEPARTURE	° 15
	自由加速烟度排放限值 ACCELERATE FREELY DUST DISPLACEMENT	符合GB3847-1999 GB17691-2001规定
质量参数 MASS SPECIFICATIONS	行驶状态自重 (总质量) SELF-WEIGHT IN TRAVELLING CONDITION	Kg 66000
	前轴轴荷 FRONT AXLE LOAD	Kg 27000
	后轴轴荷 REAR AXLE LOAD	Kg 39000
	外形尺寸 (长×宽×高) OVERALL DIMENSIONS (L×W×H)	mm 15300×3000×3920
尺寸参数 DIMENSION SPECIFICATIONS	支腿纵向跨距 OUTRIGGER LONGITUDINAL SPAN	m 6.74
	支腿横向跨距 OUTRIGGER TRANSVERSAL SPAN	m 7.8
	主臂长 BOOM LENGTH	m 13~50.4
	主臂仰角 BOOM ANGLE	° ~2~80
	副臂长 JIB LENGTH	m 10.8~18.5
底盘 CHASSIS	型号 TYPE	ZLJ5661
	发动机号 ENGINE MODEL	奔驰OM502LA
	发动机功率 MAX. POWER OF ENGING	kw/rpm 390/1800
	最大扭矩 MAX. TORQUE OF ENGING	N.m/rpm 2400/1080