

PUYUAN

全液压汽车起重机

Full Hydraulic Truck Crane

QY25E-1



浦沅

主要技术参数 Main technical specifications

项目 (ITEM)	单位 (UNIT)	数值 (DATA)
工作性能参数 Working performance specifications	最大额定总起重量 Max. Rated lifting capacity	kg 25000
	基本臂最大起重力矩 Max. Lifting moment with min. Boom length	kN.m 970
	最长主臂最大起重力矩 Max. Lifting moment with max. Boom length	kN.m 510.12
	主臂最大起升高度 Boom max. Lifting height	m 32.5
	副臂最大起升高度 Jib max. Lifting height	m 40.3
工作速度 Working speed	单绳最大速度 Single line max. Speed	m/min 115
	起重臂伸出时间 Lifting boom extending time	s 122
	起重臂起臂时间 Lifting boom elevating time	s 79
	回转速度 Slewing speed	r/min 0~2.4
	行驶参数 Travelling specifications	最高行驶速度 Max. travelling speed
最大爬坡度 Max. Gradeability		% 28
最小转弯半径 Min. Turning radius		m 10
最小离地间隙 Min. Clearance		m 0.22
接近角 Approach angle		° 22.8
离去角 Angle of departure		° 11
自由加速烟度排放限值 Accelerate freely dust displacement		符合GB3847-1999
百公里油耗 Oil consumption per. 100 kilometers		L 43
质量参数 Mass specifications	行驶状态自重(总质量) Self-weight in travelling condition	kg 28300
	前轴轴荷 Front axle load	kg 7300
	后轴轴荷 Rear axle load	kg 21700
尺寸参数 Dimension specifications	外形尺寸(长×宽×高) Overall dimensions (l×w×h)	mm 12750×2500×3225
	支腿纵向跨距 Outrigger longitudinal span	m 5.16
	支腿横向跨距 Outrigger transversal span	m 5.9
	主臂长 Boom length	m 10.2~32.0
	主臂仰角 Boom angle	° -3~80
	副臂长 Jib length	m 7.5
底盘 Chassis	型号 Model	ZLJ5311
	发动机型号 Engine model	上柴6C250-2 WD615.58
	发动机功率 Max. Power of engine	kW/rpm 184~2200 175/2200
	最大扭矩 Max. Torque of engine	N.m/rpm 958/1300 1000/1300~1600

起重特性表 Rated lifting capacity table

单位(UNIT): kg

工作幅度 Working Radius(m)	主臂 Boom					主臂仰角 Boom Angle (°)	主臂+副臂 Boom-jib 32+7.5m					
	支腿全伸、后侧方作业 All working areas with outrigger fully extended						副臂安装角0° Jib offset 0°		副臂安装角15° Jib offset 15°		副臂安装角30° Jib offset 30°	
	10.2m	15.65m	21.1m	26.55m	32.0m		侧后方 Rear & side	前方 ver fronte	侧后方 Rear & side	前方 ver fronte	侧后方 Rear & side	前方 ver fronte
3.0	25000					80	3000	3000	2400	2400	1500	1500
3.5	25000	14600				78	3000	3000	2300	2400	1500	1500
4.0	23400	14600	10000			76	2950	2950	2200	2200	1450	1450
4.5	22000	14600	10000	8000		74	2800	2800	2100	2100	1400	1400
5.0	19000	14600	10000	8000		72	2700	2700	2050	2050	1350	1350
5.5	17000	14000	10000	8000	6500	70	2550	2500	2000	2000	1300	1300
6.0	15500	13500	10000	8000	6500	68	2450	2200	1900	1900	1250	1250
7.0	12000	12200	9000	8000	6500	66	2350	1900	1800	1700	1230	1230
8.0	9500	9700	8000	7500	6000	64	2200	1600	1750	1500	1200	1200
9.0	7500	7550	7500	7000	5500	62	2100	1400	1650	1250	1180	1180
10.0		6150	6500	6000	5000	60	2000	1200	1600	1100	1150	1000
11.0		5500	5800	5500	4700	58	1800	1000	1550	900	1130	850
12.0		4600	4500	5000	4300	56	1600	800	1450	750	1110	700
13.0		4000	4000	4250	4000	54	1450	700	1400	650	1080	600
14.0			3500	3750	3700	52	1300	550	1250	550	1050	500
15.0			3000	3250	3500	50	1200	450	1100	400	1030	400
16.0			2500	2900	3000	45	900	250	850	200	800	200
18.0			2000	2400	2500	40	650		650		600	
20.0				1900	1900	35	500		500		450	
22.0				1500	1500	30	350		350		300	
24.0					1200							
26.0					900							
28.0					700							
30.0					550							

- 表中红线以上数值为起重机强度所决定，红线以下为起重机整机稳定性所决定；
- 不允许在不打支腿的情况下吊重，表中所给起重重量是在地面坚实、整机调平的情况下的起重重量；
- 表中所给工作幅度，是指吊钩后吊钩中心到回转中心的水平距离；
- 表中额定起重重量包括吊钩重（主吊钩重300kg，副吊钩重80kg）；
- 副臂安装角15°时，各主臂仰角工况下的前方、侧后方起重重量不受力矩限制器的保护。

- Capacity above the thick line in the table are based on the strength of the boom, the others, on the stability of the crane.
- Figures listed in the table are all maximum permissible values on condition that the outriggers are fully extended and the crane leveled on a firm and uniformly supporting surface. Do not exceed them.
- A working radius in the table is a horizontal distance from the centerline of the hookblock to the axis of the slewing ring when a load is lifted.
- Capacities given in the table include the weight of the hookblocks(300kg main hookblock and 80kg auxiliary hookblock).
- If a offset angle of the jib is 15°, the moment limiter will not operate.



QY25E-1

浦沅牌全液压汽车起重机

PUYUAN Full Hydraulic Truck Crane

QY25E-1 (ZLJ5311JQZ25) 主要特点:

- 驾驶室采用流线型双开门设计, 下车全覆盖走台板, 双面操纵。
- 吊臂、支腿等主要结构件采用70kg高强度钢, 独特的吊臂滑块支承形式, 承载能力强, 方便调节。
- 主臂最大起升高度32.5米, 副臂最大起升高度为40.3m, 处于行业领先地位。
- 双独立卷扬, 均采用107变量马达, 8倍率滑轮, 起升速度快于行业近40%。
- 采用双油缸变幅机构, 动作稳定可靠。
- 液压油箱上置, 散热性能好, 连续工作时间是同行业的2-3倍。
- 采用名牌专业厂家63/50/32主泵, 可靠性高。
- 按人机工程学原理设计的操纵室, 宽敞明亮, 符合ISO 标准, 即使长时间作业也不会感到疲劳。
- 配力矩限制器, 过卷、过放装置, 溢流阀、液压锁、缓冲阀等装置配置齐全、安全可靠。
- 下车标配空调冷暖装置, 可选装上车空调、暖风、第五支腿。

QY25E-1 (ZLJ5311JQZ25) Main characteristic:

- Driver's cab adopts streamline design with two doors, chassis has full covered deck, and can be controlled on both sides of vehicle
- The main structure parts, such as boom, outrigger etc., are made of 70 kg grade high-strength steel, Unique boom sliding pad support type ensures stronger bearing capacity and convenient modulation.
- The max. lifting height with main boom is 32.5m, and 40.3m with jib, which are the best in domestic same trade.
- Independent double-winch hoisting devices all adopt 107 variable displacement motor, 8 falls pulley, and the hoisting speed is nearly 40% faster than that in domestic same trade.
- Derricking mechanism is driven by double-action cylinder, the motion of which is stable and reliable.
- Hydraulic oil tank is above semimounted, good cooling capability, continuous work time is 2-3 times than that in domestic same trade.
- The product adopts 63/50/32 main pump, which is made by famous brand factory with high reliability.
- Ergonomically designed operator's cab conforms to ISO standard, spacious and bright, and let people feel tireless even work for a long time.
- It is equipped with complete safety devices, such as moment limiter, over-winding cut off device, over-lowering cut off device, overflow valve, hydraulic lock, buffer valve etc., which are safe and reliable.
- Chassis is equipped with air conditioner and heating device as the standard allocation, and air conditioner, heating device, the 5th outrigger as the optional extras for superstructure.



● 防磨损液压油管
Proof-wear hydraulic oil pipe

● 带保护装置的双卷扬机构
Double hoisting mechanism with protection equipment

● 便于检修的上车楼梯
Convenient stair for getting on the crane

● 内齿式回转支承
Slewing supporting with inner gear

● 精确可靠的力矩限制器
Accurate and reliable moment limiter

● 新型流线型双开门驾驶室
New streamline style operator' cab with two doors

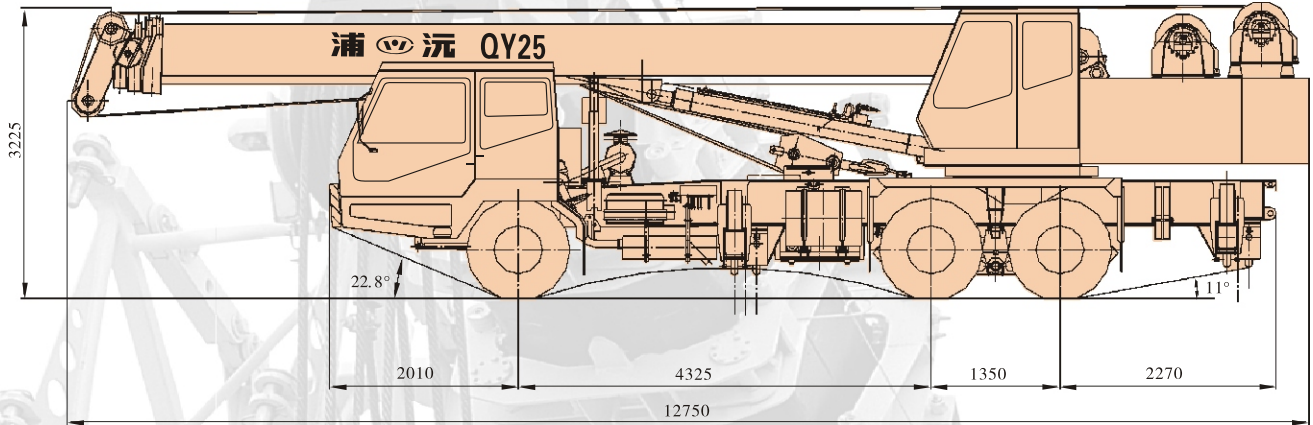


● 宽敞舒适的驾驶室
Spacious and comfortable operator' cab



外形尺寸图

Dimensions



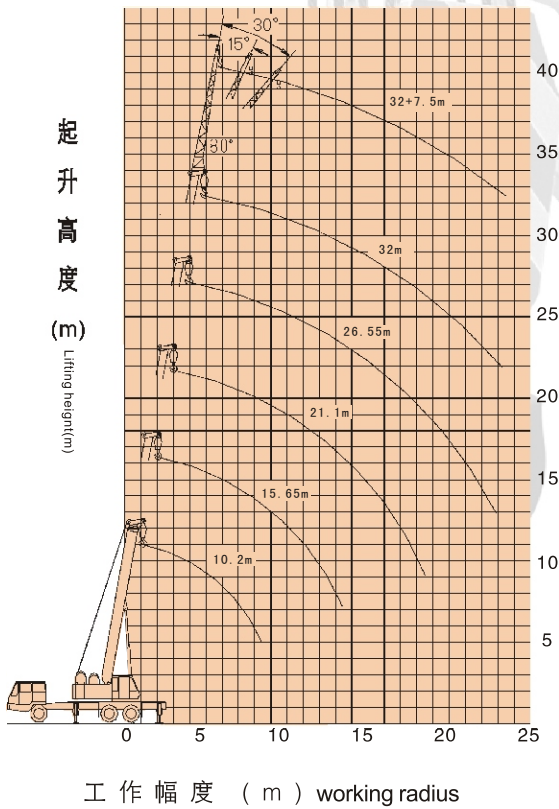
注: 装第五支腿时接近角18.5°, 不装第五支腿时接近角22.8°

起升高度曲线图

Diagram

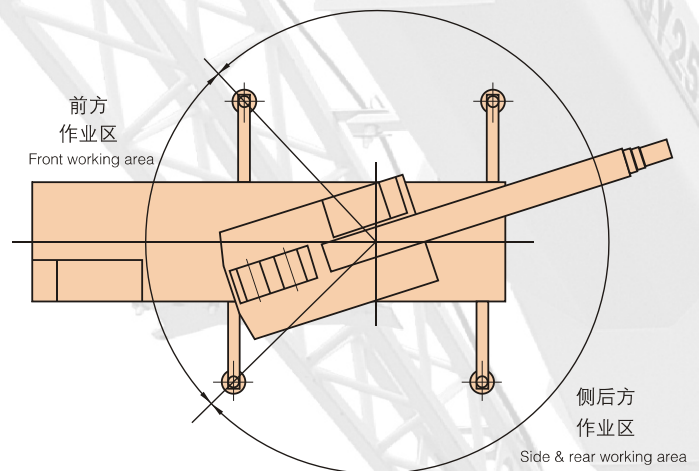
钢丝绳倍率

Wire rope fall

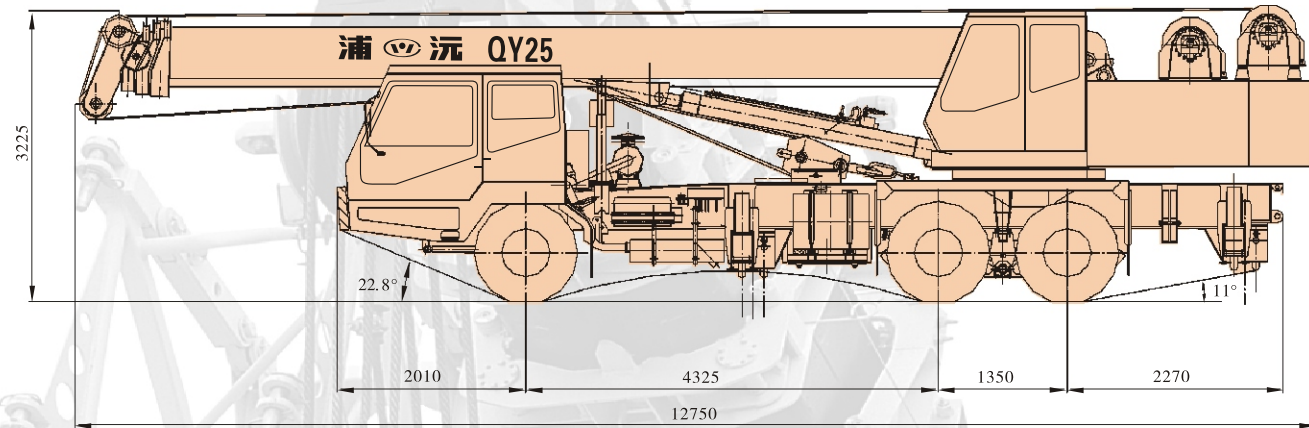


起重作业方位图

Working area diagram

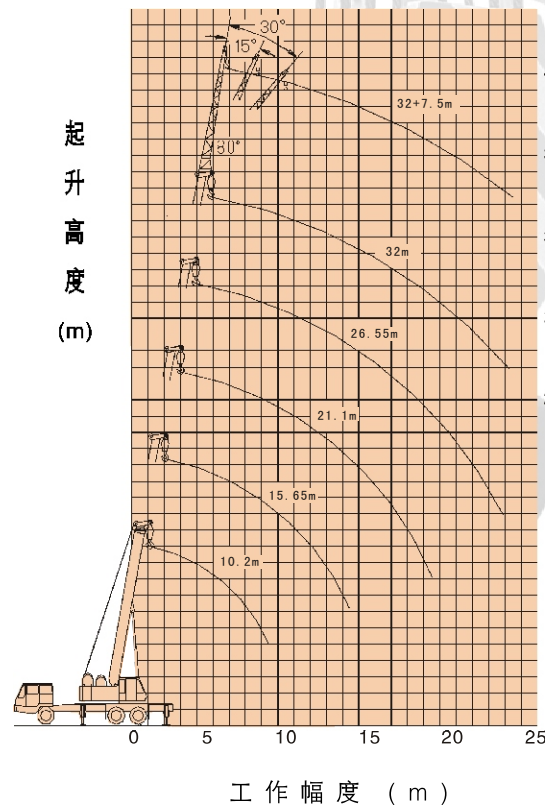


■ 外形尺寸图 Overall dimensions



注: 装第五支腿时接近角18.5°, 不装第五支腿时接近角22.8°

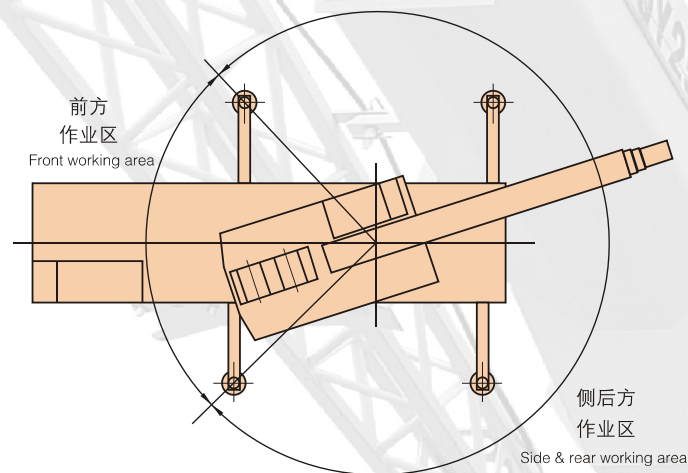
■ 起升高度曲线图 Lifting height curve diagram



■ 钢丝绳倍率 Wire rope fall

臂长 Boom length(m)	10.2-15.65	15.65-21.1	21.1-26.55	26.55-32.0
倍率 Falls	8	5	4	3

■ 起重作业方位图 Working area diagram



中联重科浦沅分公司

PuYuan Sub-Company, Zoomlion Group
 地址(Add): 中国·湖南省长沙市芙蓉中路三段613号
 No.613 the 3th district furong middle road, changsha, hunan
 邮编(Post Code): 410007
 电话(Tel): 0731-5667210
 传真(Fax): 0731-5582657
 http://www.puyuan.com.cn

营销部
Sales Department

销售热线(Sales Tel): 0731-5667230 5311766
 服务热线(Service Tel): 0731-5667004 8008786119
 备件服务热线(Spare Parts Sale): 0731-5667276
 传真(Fax): 0731-5585850
 电子信箱(E-mail): sales@puyuan.com.cn

浦沅进出口公司
PuYuan Import & Export Co., Ltd

总部电话(Tel): 0731-5667238
 传真(Fax): 0731-5591796
 电子信箱(E-mail): export@puyuan.com.cn

