

# ZOOMLION

H e a v y I n d u s t r y & s c i e n c e

■ LTU系列摊铺机 LTU Series Paver





### ZOOMLION

中联重科LTU系列摊铺机，吸收国外先进技术，更适合中国国情。选用世界一流的零配件，机电液一体化设计，可摊铺各种宽度大、摊铺层厚的路面。整机可靠性高，技术性能及多功能性代表了当今摊铺机的发展趋势，与世界先进技术同步。企业已整体通过ISO9001权威认证。

The LTU series paver of ZOOMLION Heavy Industry & Science has not only adopted the international advanced technology, but been more suitable for Chinese conditions. It adopted the best superior elements.

Mechanism-electrify-liquid are merged and integrated in design, LTU series can pave the road which is very wide and thick without any difficulty. The high reliability of the whole machine, the performance and its multi-function demonstrate the development trend of the paver, and is simultaneous with the advanced technique of the world. The whole enterprise has been authenticated by ISO9001.



## 中联重科 创造重工与科技的完美结合

A perfect combination of heavy industry with science and technology

### LTU系列摊铺机 LTU Series Paver

标有  的位置是有中联产品所在的地区  
The places with the symbols mean ZOOMLION machines are working there.

#### Advanced performance and reliable quality.

The basic parts of power system, hydraulic system, control system, and transmission mechanism are all supplied by the best manufacturers in the world, with complete set, advanced performance and reliable quality.

#### 先进的性能和可靠的质量

强大的功率储备，重载型液压系统；动力系统、液压系统、控制系统以及传动机构的基础零部件均由世界一流的制造商提供配套，性能先进，质量可靠。



#### 广泛的用途和良好的适应性

广泛应用于高速公路、市政道路、铁路路基、机场跑道、路面修补等工程的沥青面层和结构层的摊铺施工；在极限摊铺宽度和摊铺厚度的工况下，可以摊铺各种沥青混合料、各类稳定土、不同级配的砂石骨料和RCC碾压混凝土等，布料均匀，不离析。

#### Wide usage and best suitability

Widely used to pave the surface or the structure layer of express highway, railway roadbed, airport runway, road surface maintaining, etc. On the working condition of limited paving width and thickness, materials such as various kinds of asphalt, stable soil, aggregate of sand and pebble with different grade, and RCC rolling concrete, etc. can be paved and spreaded evenly without any dispersion.

#### 动力系统和液压系统

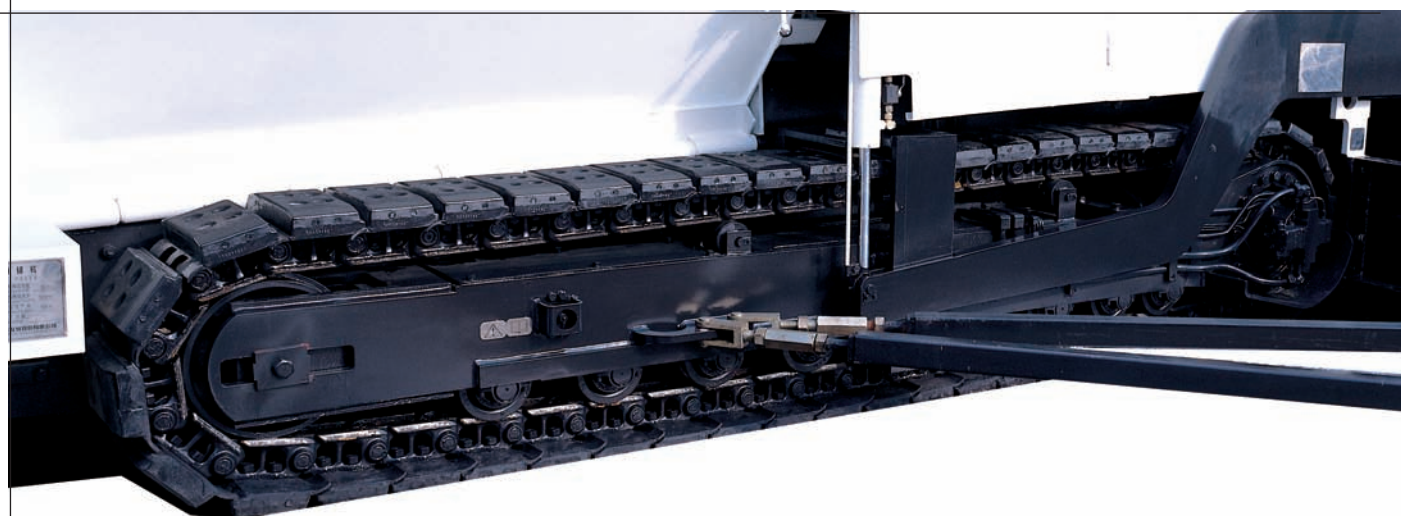
- 德国原装DEUTZ水冷发动机，STIEBEL分动箱；
- 德国原装REXROTH A4VG系列重载比例控制双向变量液压泵；
- 德国原装BOSCH齿轮液压泵、换向阀；PARKER液压胶管、管接头；
- 强劲的动力，排放符合欧洲环保标准；
- 变量液压泵采用比例伺服控制，带压力切断装置，防止系统过载；
- 所有液压泵采用分动箱集中传动，结构紧凑。

#### Power system and hydraulic system

- The German DEUTZ water-cold engine, STIEBEL power distributing box.
- German REXROTH variable displacement pump A4VG with proportional control of two-direction displacement.
- German BOSCH hydraulic gear pump, direction valve;
- German PARKER hydraulic hose, hose joint
- With a strong power, the exhaust and the release conform to the environment protection standard of Europe.
- The variable displacement hydraulic pump controled by proportional servo with pressure cutting off device to avoid over loading of the system.
- All the hydraulic pumps are driven by distributing box, ensure a compact structure.

## 我们是建设机械的专家

We are expert at construction equipment



### 行走驱动与电子控制

德国原装 REXROTH 行走减速机，美国原装 CATERPILLAR 轨链，左右履带闭式液压系统独立驱动，油气履带张紧机构；

行走速度无级变速，不受负载变化的影响，调速范围宽；计算机闭环同步控制，精确保证预选速度的恒定性、准确的直线行驶和恒速平滑的弯道转向；

控制系统设有 RS232、CAN 总线接口，可与 PC 联接，实现数据交换及参数设置；

左右履带可以反向驱动，实现原地转动，转场方便。

### Mobile drive & control system

Which consists of the German REXROTH reducer, the American CATERPILLAR chain pitch group. The tracks are driven respectively by two sets of close hydraulic circuit, oil-pneumatic charging system. wide range of infinitely variable speed control, regardless of load change. Simultaneous close loop ensures high accuracy, linearity, constant speed and smooth steering.

For communication with PC to exchange data and adjust parameters, RS232 serial interfaces and CAN bus interfaces are provided by electrical control system.

The functions of reversing driving and slipsteering make it more convenient to travel from one site to another.



### 操作舒适 维修简便

主控台可横向两边滑移，双驾驶座椅并可垂直升降、横向滑移，以满足操作者全方位视线；

主控台、外控台的仪表、开关及报警灯布置合理整齐，操作舒适；

发动机罩可以整体向前翻转，所有液压泵由分动箱集中驱动，结构紧凑，维修方便；

装有快速检测接头，易于对液压系统监测调试；

所有润滑点布点合理，易于接近，便于维修保养。

### Comfortable operation, simple maintenance

The main control console can be moved transversely. The double sitting chair can move vertically and transversely so as to provide the driver with good view.

The instruments, the switches and alarm lamps of the main and outside control consoles are arranged reasonably to ensure a comfort operation.

The engine shell can be wholly turned forward. All the hydraulic pumps are centrally driven by the power distributing box. The structure is compact and maintenance is convenient.

It is equipped with the best inspecting joints for easily check and adjust of the hydraulic system.

All the lubricating points are reasonably arranged for easily approaching and convenient maintenance.



### 电子调平控制系统

德国原装 MOBA 数字式纵坡传感器和横坡传感器，BOSCH 高频电磁阀；

纵坡、横坡传感器与液压系统构成闭环电子调平系统，灵敏度高，性能可靠，保证一流的摊铺平整度；可使用二个纵坡传感器或一横坡一纵坡传感器的不同组合，适应不同施工工艺；

配有左右两个多功能外控台，实现外控操作，与主控台配合，方便操作；

调平控制接口通用，可与非接触式超声波平衡梁或激光扫描调平系统匹配，方便用户选用。

### Electronic-leveling control system

Which consists of German MOBA digital sensor for grade and slop control, BOSCH electromagnetic valves with high frequency;

The closed loop grade leveling control system consists of grade and slope sensors and the hydraulic system. Its high sensitivity, reliable performance ensure the paving levelness.

There are two combinations: two grade sensors, or one grade sensor and one slope sensor. The two combinations may satisfy different conditions.

Two multi-functional outside control console are equipped at the left and right ends, the operation on outside control consol is parallel to that on the main control console, so that the operation is convenient.

### 混合料输送系统和料位控制

输料、分料机构左右液压独立驱动，意大利原装 REGGIANA 行星减速机，德国原装 MOBA 超声波料位传感器；料位高低由两个料位开关和两个超声波传感器闭环比例控制，布料螺旋转速无级变化，布料均匀，摊铺阻力恒定；布料螺旋高低四级可调，以适应不同的摊铺厚度。

### Conveying system of mixed materials and material-level control

The material conveying and distributing mechanisms in both left and right sides are driven individually by hydraulic system. The Italian REGGIANA planetary reducer, the German MOBA ultrasonic sensor for material level are adopted.

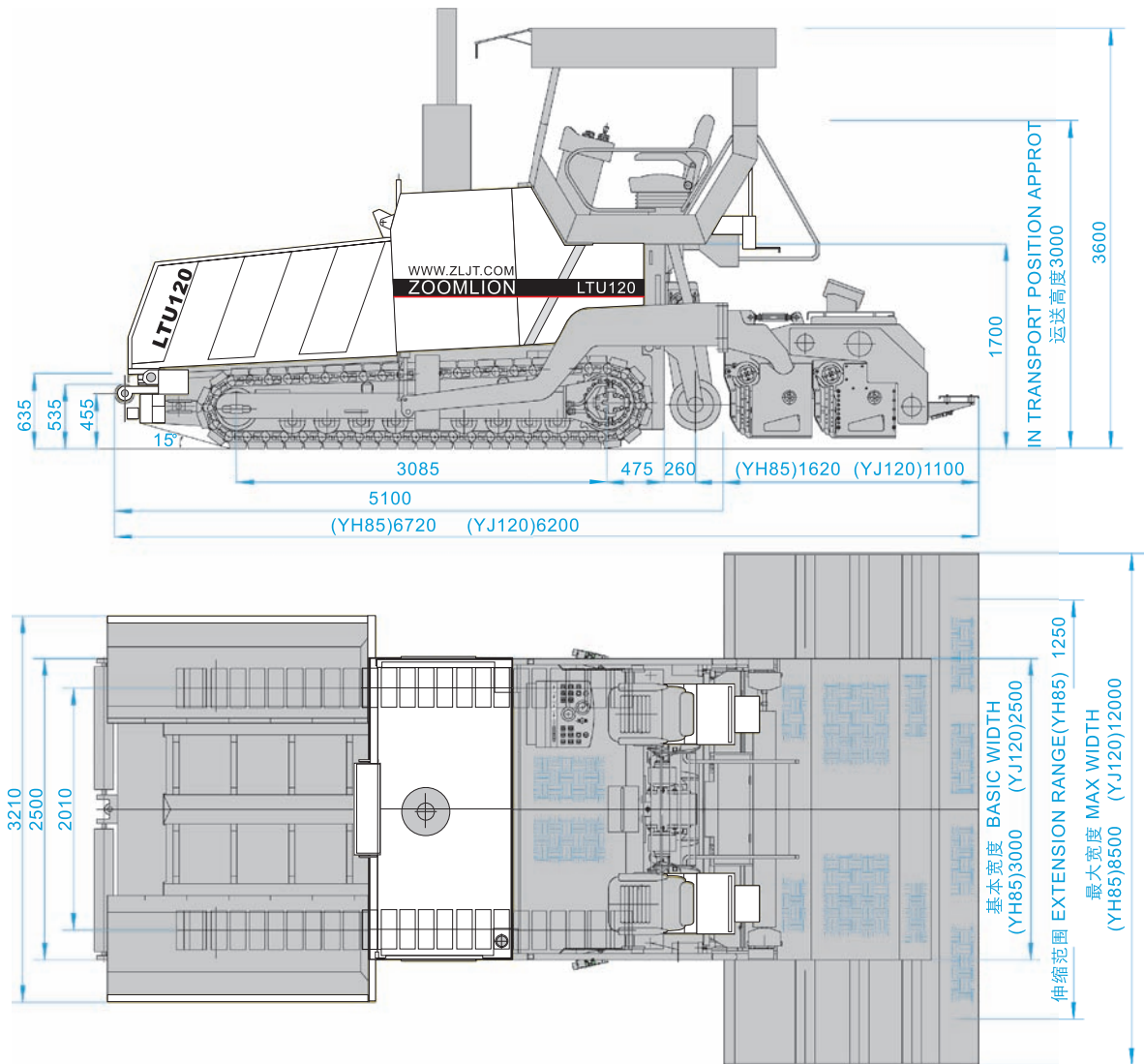
The material level, high or low, is proportionally controlled by two switches and two ultrasonic sensors through the closed circuit. The auger speed can be changed infinitely to obtain a even spreading and constant paving resistance.

The height of the spreading auger can be adjusted at four degrees so as to suit different paving thickness.



# ZOOMLION

## LTU120型摊铺机 LTU120 Paver



### LTU120 外形尺寸Dimensions

熨平板标准配置为YJ120双夯锤机械加长熨平板，根据需要可提供YH85双夯锤液压伸缩熨平板

# LTU120

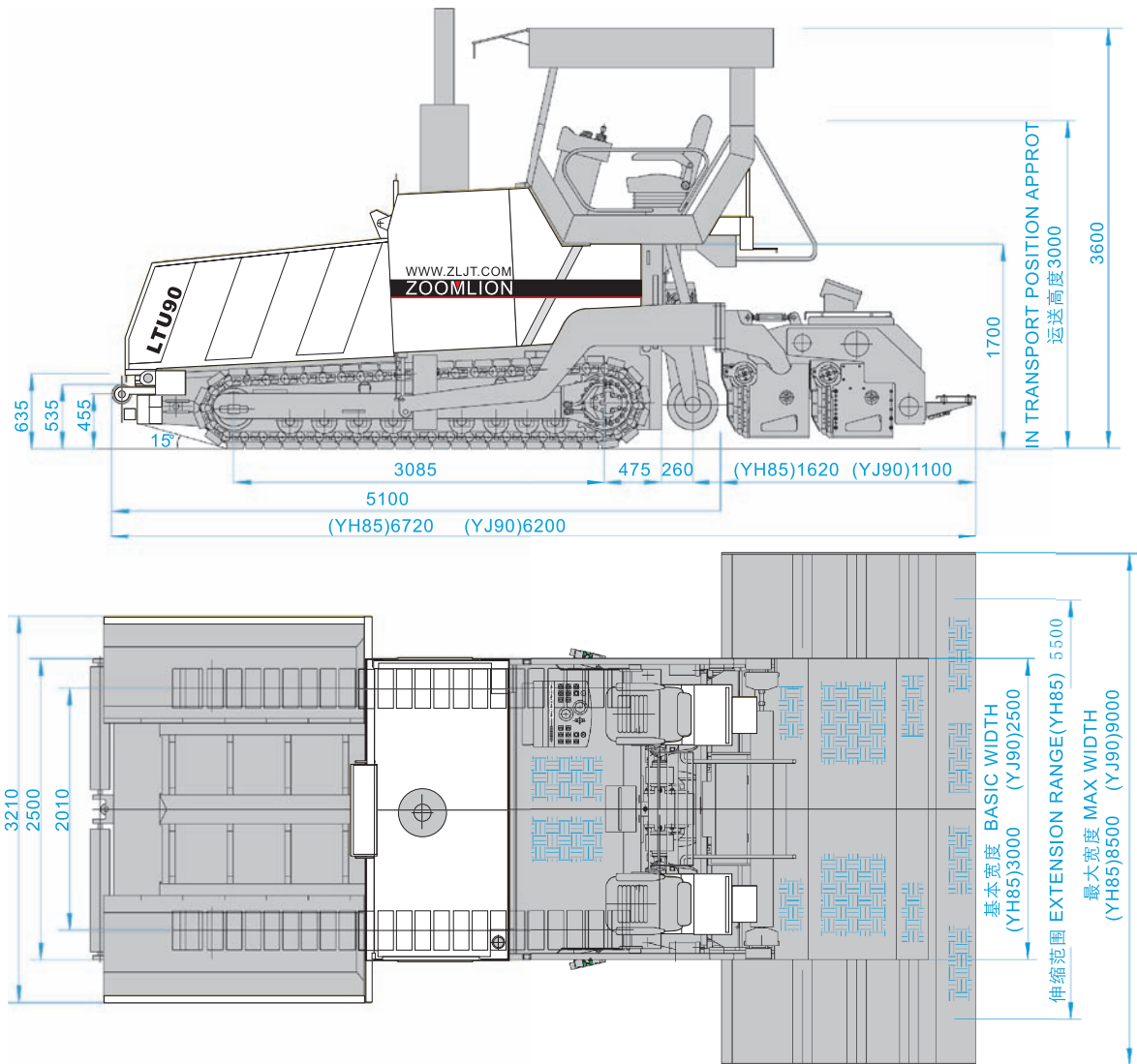
## 主要技术参数 Main technical parameters

## LTU120

基本摊铺宽度 Basic paving width	2.5m (机械拼装熨平板) / 3m (液压伸缩熨平板) 2.5m (mechanically pieced screed) / 3m (hydraulically telescoped screed)
最大摊铺宽度 Max. paving width	12m (机械拼装熨平板) / 8.5m (液压伸缩熨平板) 12m (mechanically pieced screed) / 8.5m (hydraulically telescoped screed)
最大摊铺厚度 Max paving thickness	300mm 300mm
摊铺作业速度 Paving speed	0~16m/min 0~16m/min
转场行走速度 Traveling speed	0~4km/h (无级可调) 0~4km/h (stepless adjustment)
理论生产率 Theoretical productivity	800t/h 800t/h
料斗容量 Hopper capacity	14t 14t
夯锤数量 Tamper numbers	2个
夯锤冲程 Tamper stroke	前夯锤 0/3/6/9/10/12 mm (六级可调) Front tamper 0/3/6/9/10/12 mm (Six grade adjustment) 后夯锤 3/4/5/7/8/9mm (六级可调) Rear tamper 3/4/5/7/8/9mm (Six grade adjustment)
夯锤冲击频率 Tamper Frequency	0~28Hz (无级可调) 0~28Hz (stepless adjustment)
振动器振动频率 Vibrator Frequency	0~58Hz (机械拼装) 0~58Hz (mechanically)
刮板输送机速度 Conveyor speed	20m/min 20m/min
螺旋布料器转速 Auger revolution	0~170rpm (无级可调) 0~170rpm (stepless adjustment)
螺旋布料器直径 Auger diameter	Φ420, 365mm Φ420, 365mm
发动机功率/转速 Power/revolution	161kW/2300rpm 161kW/2300rpm
加热方式 Heating	丙烷气燃烧加热 Burning with alkylate
整机重量 Total weight	20t (2.5m基本熨平板时) / 28t (总重量) 20t (with 2.5m basic screed) / 28t (Total weight)
接近角度 Approaching angle	15° 15°
离去角度 Leaving angle	9° (布料器低位) 17° (布料器高位) 9° (auger at low position) 17° (auger at high position)
拱度调节范围 Crown adjustment	-1% ~ +3% (机械拼装) / 0 ~ +3% (液压伸缩) -1% ~ +3% (mechanically) / 0 ~ +3% (hydraulically)
外形尺寸 Overall dimensions	见外形尺寸图

# ZOOMLION

LTU90/LTUH85 型摊铺机 LTU90/LTUH85 Paver



## LTU90/LTUH85 外形尺寸Dimensions

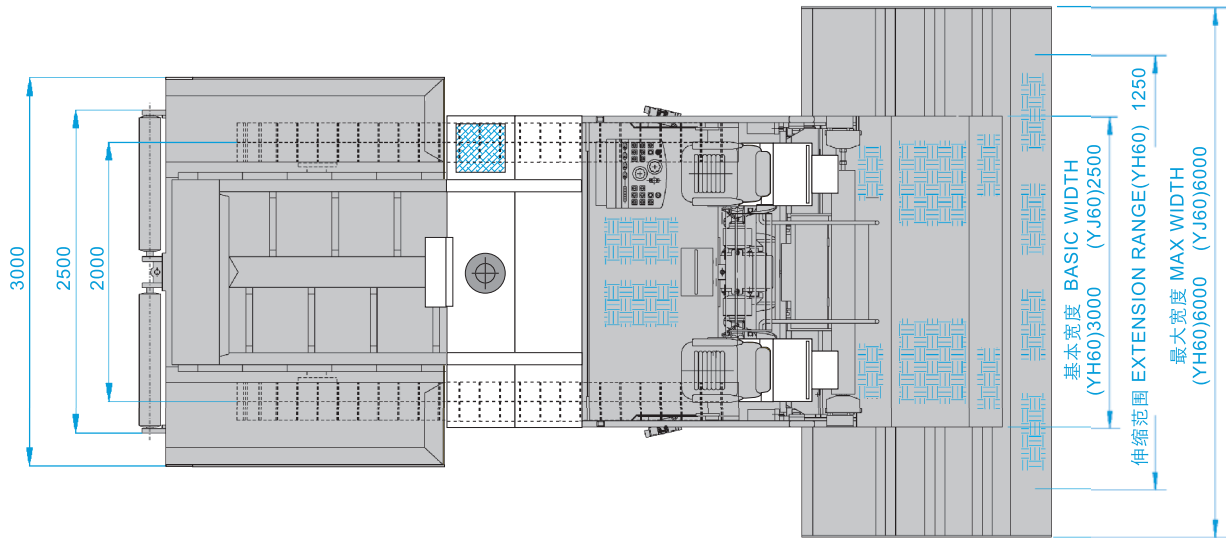
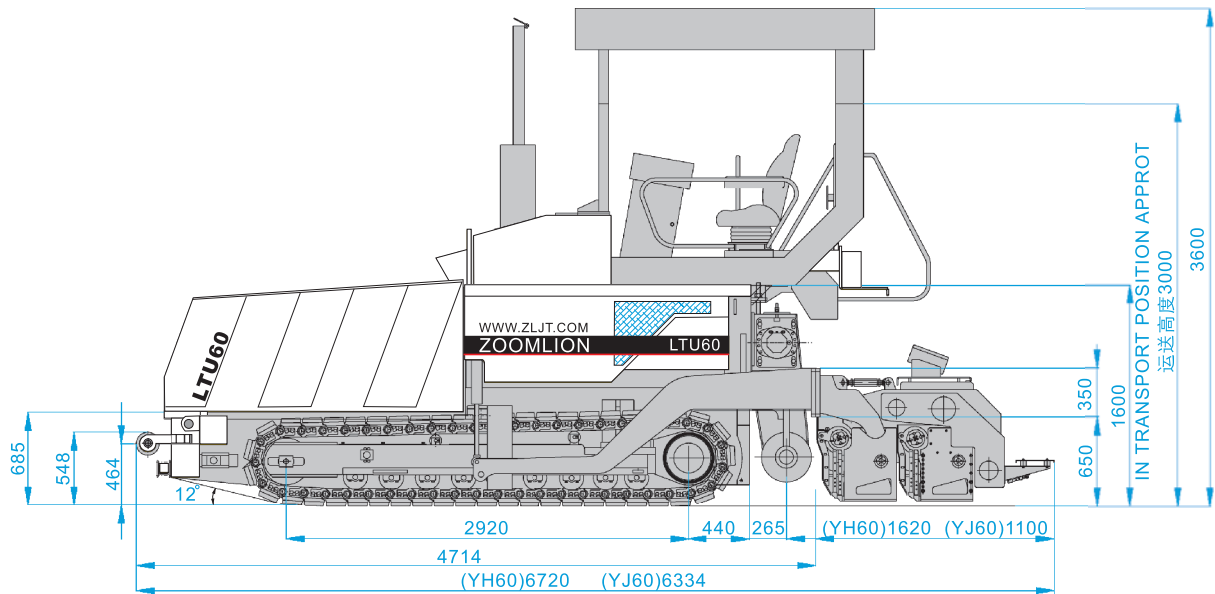
LTU90 配有 YT90 双夯锤机械加宽熨平板

LTUH85 配有 YH85 双夯锤液压伸缩熨平板

基本摊铺宽度 Basic paving width	2.5m (机械拼装熨平板) / 3m (液压伸缩熨平板) 2.5m (mechanically pieced screed) / 3m (hydraulically telescoped screed)
最大摊铺宽度 Max. paving width	9m (机械拼装熨平板) / 8.5m (液压伸缩熨平板) 9m (mechanically pieced screed) / 8.5m (hydraulically telescoped screed)
最大摊铺厚度 Max paving thickness	300mm 300mm
摊铺作业速度 Paving speed	0~16m/min 0~16m/min
转场行走速度 Traveling speed	0~3km/h (无级可调) 0~3km/h (stepless adjustment)
理论生产率 Theoretical productivity	800t/h 800t/h
料斗容量 Hopper capacity	14t 14t
夯锤数量 Tamper numbers	2个
夯锤冲程 Tamper stroke	前夯锤 0/3/6/9/10/12 mm (六级可调) Front tamper 0/3/6/9/10/12 mm (Six grade adjustment) 后夯锤 3/4/5/7/8/9mm (六级可调) Rear tamper 3/4/5/7/8/9mm (Six grade adjustment)
夯锤冲击频率 Tamper Frequency	0~28Hz (机械拼装) / 0~25Hz (液压伸缩) 0~28Hz (stepless adjustment) / 0~25Hz (hydraulically)
振动器振动频率 Vibrator Frequency	0~58Hz (机械拼装) / 0~50Hz (液压伸缩) 0~58Hz (mechanically) / 0~50Hz (hydraulically)
刮板输送机速度 Conveyor speed	20m/min 20m/min
螺旋布料器转速 Auger revolution	0~170rpm (无级可调) 0~170rpm (stepless adjustment)
螺旋布料器直径 Auger diameter	Φ420, 365mm Φ420, 365mm
发动机功率/转速 Power/revolution	133kW/2300rpm 133kW/2300rpm
加热方式 Heating	丙烷气燃烧加热 Burning with alkylate
整机重量 Total weight	20t (2.5m基本熨平板时) / 26t (总重量) 20t (with 2.5m basic screed) / 26t (Total weight)
接近角度 Approaching angle	15° 15°
离去角度 Leaving angle	9° (布料器低位) 17° (布料器高位) 9° (auger at low position) 17° (auger at high position)
拱度调节范围 Crown adjustment	-1% ~ +3% (机械拼装) / 0 ~ +3% (液压伸缩) -1% ~ +3% (mechanically) / 0 ~ +3% (hydraulically)
外形尺寸 Overall dimensions	见外形尺寸图

# ZOOMLION

LTU60/LTUH60 型摊铺机 LTU60 Paver



## LTU60 /LTUH60 外形尺寸Dimensions

LTU60 配用 YT60 双夯锤机械加宽熨平板

LTUH60 配用 YH60 双夯锤液压伸缩熨平板

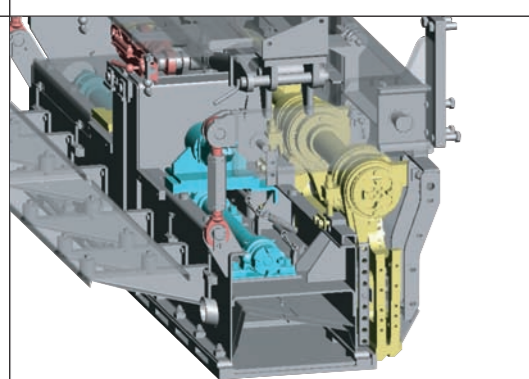


# LTU60

## 主要技术参数 Main technical parameters

## LTU60/LTUH60

基本摊铺宽度 Basic paving width	2.5m (机械拼装熨平板) / 3m (液压伸缩熨平板) 2.5m (mechanically pieced screed) / 3m (hydraulically telescoped screed)
最大摊铺宽度 Max. paving width	6m (机械拼装熨平板和液压伸缩熨平板) 6m (mechanically pieced screed and hydraulically telescoped screed)
最大摊铺厚度 Max paving thickness	300mm 300mm
摊铺作业速度 Paving speed	0~15m/min 0~15m/min
转场行走速度 Traveling speed	0~3km/h (无级可调) 0~3km/h (stepless adjustment)
理论生产率 Theoretical productivity	500t/h 500t/h
料斗容量 Hopper capacity	12t 12t
夯锤数量 Tamper numbers	2个
夯锤冲程 Tamper stroke	前夯锤 0/3/6/9/10/12 mm (六级可调) Front tamper 0/3/6/9/10/12 mm (Six grade adjustment) 后夯锤 3/4/5/7/8/9mm (六级可调) Rear tamper 3/4/5/7/8/9mm (Six grade adjustment)
夯锤冲击频率 Tamper Frequency	0~25Hz (无级可调) 0~25Hz (stepless adjustment)
振动器振动频率 Vibrator Frequency	0~58Hz (机械拼装) / 0~55Hz (液压伸缩) 0~58Hz (mechanically) / 0~55Hz (hydraulically)
刮板输送机速度 Conveyor speed	18m/min 18m/min
螺旋布料器转速 Auger revolution	0~120rpm (无级可调) 0~120rpm (stepless adjustment)
螺旋布料器直径 Auger diameter	Φ365mm Φ365mm
发动机功率/转速 Power/revolution	112kW/2300rpm 112kW/2300rpm
加热方式 Heating	丙烷气燃烧加热 Burning with alkylate
整机重量 Total weight	18t (2.5m基本熨平板时) / 22t (总重量) 18t (with 2.5m basic screed) / 22t (Total weight)
接近角度 Approaching angle	12° 12°
离去角度 Leaving angle	9° (布料器低位) 18° (布料器高位) 9° (auger at low position) 18° (auger at high position)
拱度调节范围 Crown adjustment	-1% ~ +3% (机械拼装) / 0 ~ +3% (液压伸缩) -1% ~ +3% (mechanically) / 0 ~ +3% (hydraulically)
外形尺寸 Overall dimensions	见外形尺寸图



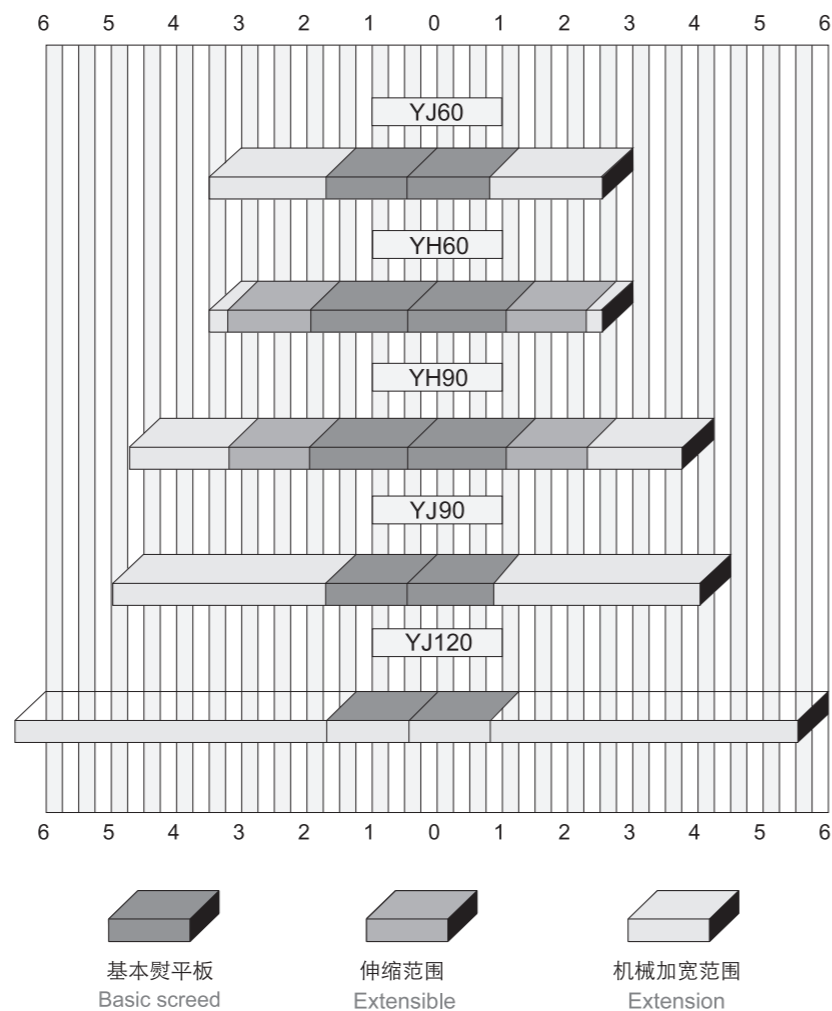
### 高密实度双夯锤振动熨平板

夯锤、振动器均由比例控制闭式液压系统驱动，振捣频率和振动频率无级可调；双夯锤结构，摊铺密度高，前后夯锤冲程六级可调，以适应不同的混合料和摊铺工况；瑞典原装SKF滚动轴承，可靠性高，寿命长；

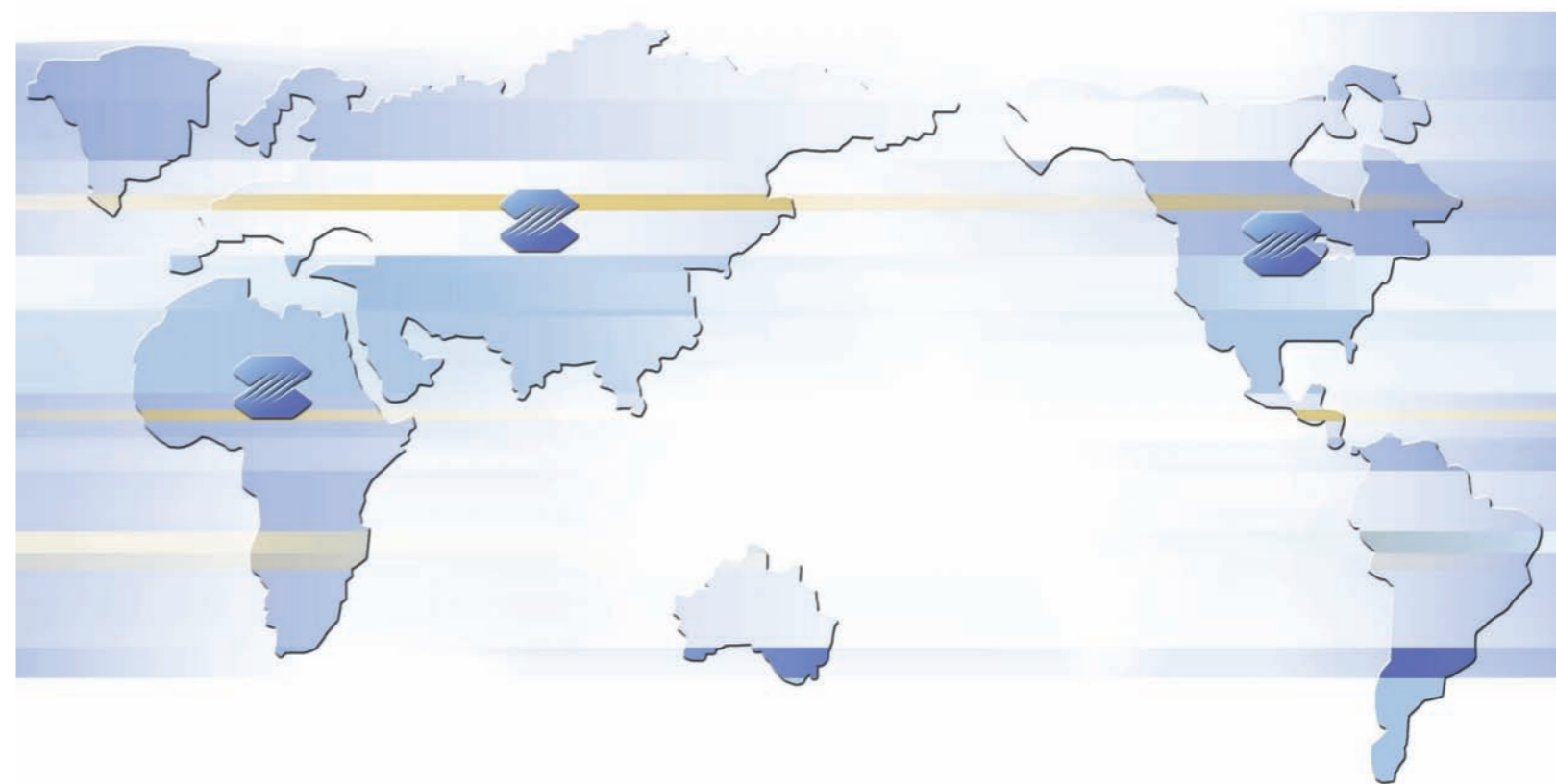
### Screed with double-tamper

The tampers and the vibrator are all driven by the closed hydraulic system with proportional control. The tamping frequency and the vibrating frequency can be stepless adjusted. Thanks to the double tamper structure, you may achieve a high compactness. The stroke of the front and rear tampers can be adjusted in six grades in order to suit different mixed materials and paving conditions.

The Swedish SKF rolling bearing features high reliability and long useful life.



标有 的位置是有中联产品所在的地区  
The places with the symbols mean ZOOMLION machines are working there.



### 中联重科服务宣言：我们的服务永远超越契约！

Zoomlion's proclamation: What we do more than what we've promised!

售后服务全国联网互动——我们的服务与您近在咫尺。

Service after sales on internet —— Our service is at your side

24小时服务承诺——迅捷回应，第一时间为您排忧解难。

24 Hours' service —— Immediate reply to solve your problem at once

标准化服务流程——让您享受中联重科“五星级”服务。

Standard service procedure —— ZOOMLION offers you "five stars" service

远程监控技术服务体系——每台产品的状况，我们尽在掌握。

System of remote montior system —— Take working circumstance of every machine from ZOOMLION into our consideration

**您只需使用我们的产品，其他的，我们来做！**  
**What you have to do is only to make good use of our machine.**  
**Other things will be done by us.**